



UP•LED Lite

LED technology,
top performance, small bulk,
high resistance
more functions



UP•LED is a fixture developed in only five versions but able to satisfy the requirements of a much wider range (from 6 to 36W, SE-SA-RM, autonomy 1-2-3h).

The product concept is centred on a revolutionary optic system based on 4 precision lenses able to exploit fully all the power of the LEDs: for the first time a fixture has been made starting from the top of the available LEDs.

The main characteristic of the UP•LED is the very high illumination produced with very compact dimensions. The 24-36W version reaches 450 Lumen with a thickness of less than 20 mm.

With a view to multifunctionality, UP•LED is the first signalling fixture with the possibility of applying two signs of different sizes on the same product, thus obtaining visibility distances (DV) of 20 or 30 m.

This system, totally innovative for the world of safety signs, is designed both to illuminate the sign powerfully and uniformly, but also to direct a beam of light towards the ground, creating an illuminated area corresponding to the emergency exit over which the fixture is placed. Not least is the mechanical result: despite the minimal appearance and the smallest dimensions in the category, thanks also to the adoption of O-Ring fixing systems on the whole housing of the fixture and in the connecting accessories, UP•LED ensures lasting Protection degree IP65 and impact resistance IK07



UP•LED Lite



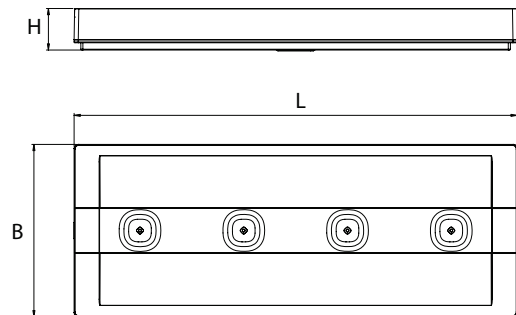
Emergency lighting fixture characterized by great flexibility of use. Less than 20mm high, offering an innovative aesthetic impact. Compactness, high performance, mounting flexibility and high protection degree make the product ideal for any type of installation. Available in non-maintained SE and maintained SA versions, IP42/IP65, 100-200 lm output flux.

Rest mode input available. The entire range is equipped with all the accessories to become a signal exit light with visibility from 20 to 30m. UP•LED LITE is suitable to work with multi-voltage power supply: 120Vac and 230Vac.

Photometric diagrams and Luce Utile page 149, Symbols on cover, Spare batteries page 160

GENERAL CHARACTERISTICS

Output	100lm, 200lm
Power supply	120Vac +/- 10% 60Hz
multivoltage	230Vac +/- 10% 50Hz
Operation	Maintained (SA with Rest Mode) Non maintained (SE with Rest Mode)
Standard	EN 60598-1, EN 60598-2-22, UNI EN 1838, UNI 11222
Protection degree	IP65 - IP42
Protection mechanical impacts	IK07
Autonomy	1h
Working temperature	0°C ÷ +40°C
Mounting	wall, ceiling
Housing	Polycarbonate, white RAL 9003
Lens	transparent polycarbonate

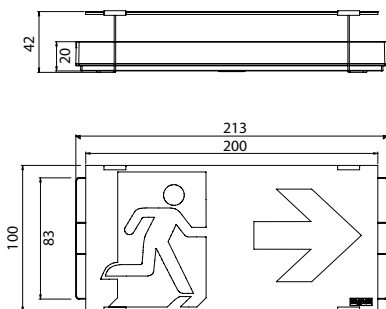


• Dimensions (mm) •				
L	B	H	DV	
213	83	20	20/30	

Accessories

supplied

Order Code	Description
-	Connection coupling IP65
-	2 Rear spacers for mounting with connection coupling IP65
-	2 Caps IP65
-	cable gland IP65

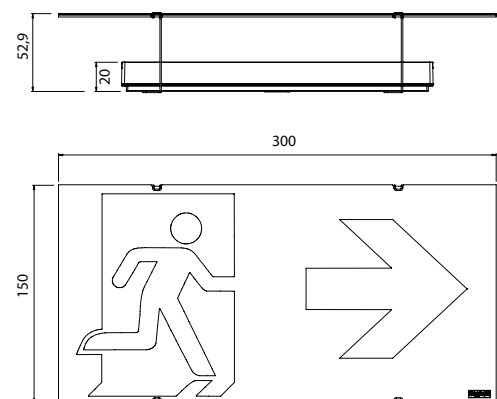


sign diffuser - visibility distance 20 m

Accessories

to be ordered separately

Order Code	Description
4310	SCREEN R-L-DOWN UPLED 20M
4311	SCREEN R-L-DOWN UPLED 30M



sign diffuser - visibility distance 30 m

WALL MOUNTING



SPIRIT LEVEL



MOUNTING IP65 WITH CONNECTION COUPLING



- Connection coupling IP65 supplied

SIGN DIFFUSER VISIBILITY 20M

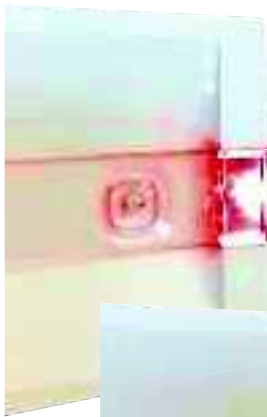


4310 single sided screen with left/right/down arrows 20m to be ordered separately

SIGN DIFFUSER VISIBILITY 30M



4311 single sided screen with left/right/down arrows 30m to be ordered separately



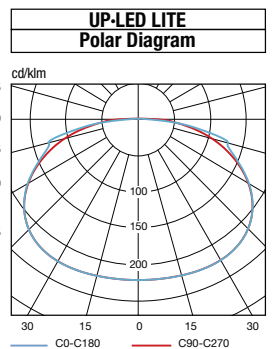
Red warning LED:
BATTERY
MALFUNCTION



Green warning LED:
FIXTURE
FULLY EFFICIENT

BATTERY CONTROL SYSTEM

The warning LED follows new protocols linked to compliance with Standard CEI EN 60598-2-22, which expressly requires the signalling of a battery malfunction which, in the case of UP•LED, is indicated instantaneously with the appearance of the colour red on the multicolour warning led (Battery Control System BCS).



BCS

Battery Control System

Order Code	Description	Version	Autonomy	Battery	n° LEDs	Flux SE lm	Flux SA lm	Absorption W	Weight kg	Packaging
4340	UP LED LITE 100L IP42 SE RM	SE	1h	NiCd 3.6V 0.5 Ah	4	100	-	0.8	0.25	12
4341	UP LED LITE 200L IP42 SE RM	SE	1h	NiCd 3.6V 0.75 Ah	4	200	-	1.5	0.25	12
4342	UP LED LITE 100L IP42 SA RM	SA	1h	NiCd 3.6V 0.5 Ah	4	100	100	1.5	0.25	12
4343	UP LED LITE 200L IP42 SA RM	SA	1h	NiCd 3.6V 0.75 Ah	4	200	100	2.0	0.25	12
4344	UP LED LITE 100L IP65 SE RM	SE	1h	NiCd 3.6V 0.5 Ah	4	100	-	0.8	0.25	12
4345	UP LED LITE 200L IP65 SE RM	SE	1h	NiCd 3.6V 0.75 Ah	4	200	-	1.5	0.25	12
4346	UP LED LITE 100L IP65 SA RM	SA	1h	NiCd 3.6V 0.5 Ah	4	100	100	1.5	0.25	12
4347	UP LED LITE 200L IP65 SA RM	SA	1h	NiCd 3.6V 0.75 Ah	4	200	100	2.0	0.25	12



Wall mounting in an architectural design area. In a tertiary setting the fixture can also be positioned on the ceiling or with a safety pictogram (20 or 30m)

