

AVIOR

AVR

FLUORESCENT (T5)

4ft - T5



Suspended Luminaire

Application: The AVIOR AVR T5 linear fluorescent is a three (3) lamp, efficiency based luminaire designed to provide direct and indirect illumination. Using a single T5 lamp as direct illumination, while the other two lamps offer an impressive indirect element. Offered as a stand alone four (4) foot luminaire. Constructed using formed steel and color matched cast aluminum end caps. The AVIOR AVR T5 is also available with dual switching, dimming and indirect color effect inserts. This suspended luminaire is ideal for offices, galleries, corridors, and for any decorative interior setting.

Type: _____

Project: _____

CONFIGURE:

| a | b | c | d | e | f | g |
|--|--------------------|---|--|---|--|--|
| MODEL | OPERATION | LAMPS | INPUT | LOUVER | FINISH | OPTIONS |
| AVRT5 AVIOR AVR T5 SERIES | HT AC only | 328W 3x28W T5 <small>NOTE: Lamps not included</small> | 120V 277V 120/277V 347V | MF mirror finish SF satin finish | WT white (RAL9003) DG dark grey (RAL7016) | FP inline fuse protection SPCW spiral cord white SPCB spiral cord black ICDR indirect color diffuser red ICDG indirect color diffuser green ICDB indirect color diffuser blue ICDY indirect color diffuser yellow 2CK two level switching PK rigid pendant kit: 18", 24", 36" & 48" AC aviation cable: 50", 72", 100", 150" & 250" <small>NOTE: (AC & PK) length to be specified, i.e. PK24 or AC100</small> |
| MODEL a | OPERATION b | LAMPS c | INPUT d | LOUVER e | FINISH f | OPTIONS g |
| AVRT5 | | | | | | |

HOUSING: One piece formed steel construction. Colored or die-cast aluminum end caps. White (RAL9003) or dark grey (RAL7016) powder coat finish.

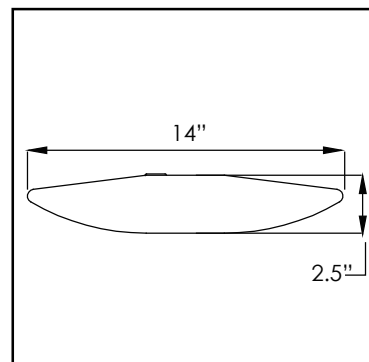
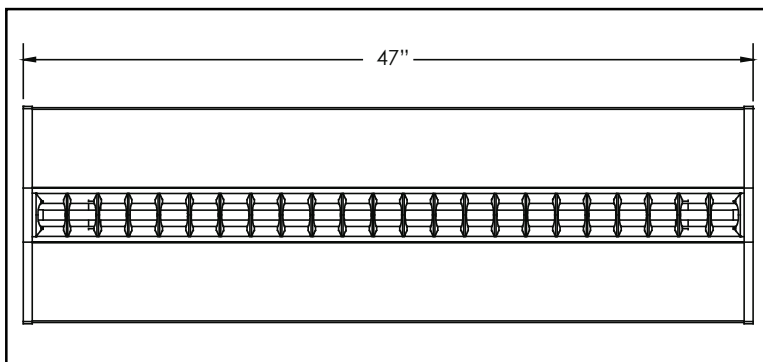
LOUVER: Aluminum multi cell louver available in (MF) mirror finish or (SF) satin finish. Louver held in place by four (4) perimeter pressure clips.

INDIRECT DIFFUSER: Standard clear diffuser for indirect illumination. Optional color diffusers available for indirect effects. (ICDR) diffuser red, (ICDG) diffuser green, (ICDB) diffuser blue or (ICDY) diffuser yellow.

LAMP/SOCKET: Six (6) T5 ratchet type sockets with T5 Beghelli adaptor extenders.

MOUNTING: 50" fully adjustable suspension aviation cable mount as standard.

POWER LINE/FEED: 3-wire, solid type 18awg, pre-stripped 12" leads for quick in-field connection.



AVIOR AVR FLUORESCENT (T5HO)

4ft - T5HO



Suspended Luminaire

Application: The AVIOR AVRT5HO linear fluorescent is a three (3) lamp, efficiency based luminaire designed to provide direct and indirect illumination. Using a single T5HO lamp as direct illumination, while the other two lamps offer an impressive indirect element. Offered as a stand alone four (4) foot luminaire. Constructed using formed steel and color matched cast aluminum end caps. The AVIOR AVRT5HO is also available with dual switching, dimming and indirect color effect inserts. This suspended luminaire is ideal for offices, galleries, corridors and open ceiling environments.

Type: _____

Project: _____

CONFIGURE:

| a | b | c | d | e | f | g |
|--|--------------------|---|--|---|--|--|
| MODEL | OPERATION | LAMPS | INPUT | LOUVER | FINISH | OPTIONS |
| AVRT5HO AVIOR AVR T5HO SERIES | HT AC only | 354W 3x54W T5HO <small>NOTE: Lamps not included</small> | 120V 277V 120/277V 347V | MF mirror finish SF satin finish | WT white (RAL9003) DG dark grey (RAL7016) | FP inline fuse protection SPCW spiral cord white SPCB spiral cord black ICDR indirect color diffuser red ICDG indirect color diffuser green ICDB indirect color diffuser blue ICDY indirect color diffuser yellow 2CK two level switching PK rigid pendant kit: 18", 24", 36" & 48" AC aviation cable: 50", 72", 100", 150" & 250" <small>NOTE: (AC & PK) length to be specified, i.e. PK24 or AC100</small> |
| MODEL a | OPERATION b | LAMPS c | INPUT d | LOUVER e | FINISH f | OPTIONS g |
| AVRT5HO | | | | | | |

HOUSING: One piece formed steel construction. Col- or die-cast aluminum end caps. White (RAL9003) or dark grey (RAL7016) powder coat finish.

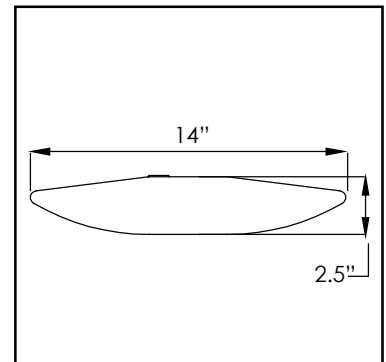
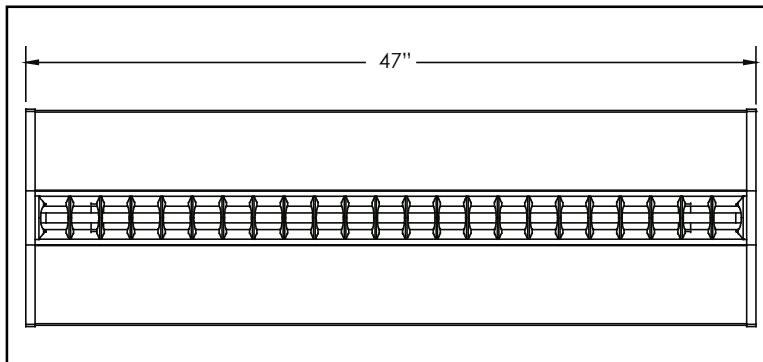
LOUVER: Aluminum multi cell louver available in (MF) mirror finish or (SF) satin finish. Louver held in place by four (4) perimeter pressure clips.

INDIRECT DIFFUSER: Standard clear diffuser for indi- rect illumination. Optional color diffusers available for indirect effects. (ICDR) diffuser red, (ICDR) diffuser green, (ICDB) diffuser blue or (ICDY) diffuser yellow.

LAMP/Socket: Six (6) T5HO ratchet type sockets with T5HO Beghelli adaptor extenders.

MOUNTING: 50" fully adjustable suspension avia- tion cable mount as standard.

POWER LINE/FEED: 3-wire, solid type 18awg, pre- stripped 12" leads for quick in-field connection.



AVIOR



PHOTOMETRIC DATA:

Configuration: **AVR-T5-HT-328W-120/277V-MF-WT-FP**

Initial Lamp Lumens: 2900

Maximum Candela = 1492 at 90 H 32.5 V

Classification:

Road Classification: Type V, Very Short, Non-Cutoff

Indoor Classification: General Diffuse

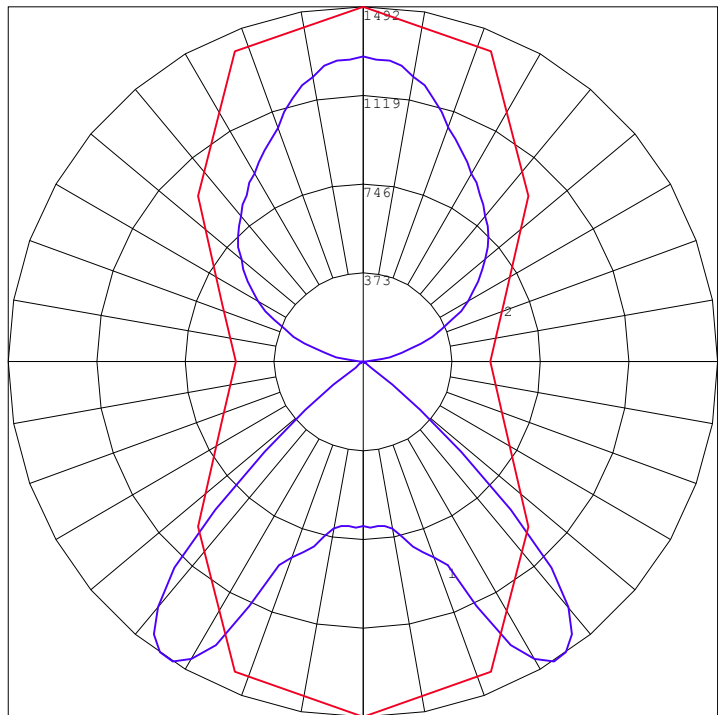
Polar Candela Curves:

Vertical Plane Through:

1) 90 - 270 Horizontal

Horizontal Cone Through:

2) 32.5 Vertical



Please visit www.beghelliLUCE.com to download additional photometry pdfs and IES files.

PHOTOMETRIC DATA:

Configuration: **AVRT5HO-HT-354W-120/277V-MF-WT-FP**
 Initial Lamp Lumens: 4450
 Luminaire Efficiency: 40.1%

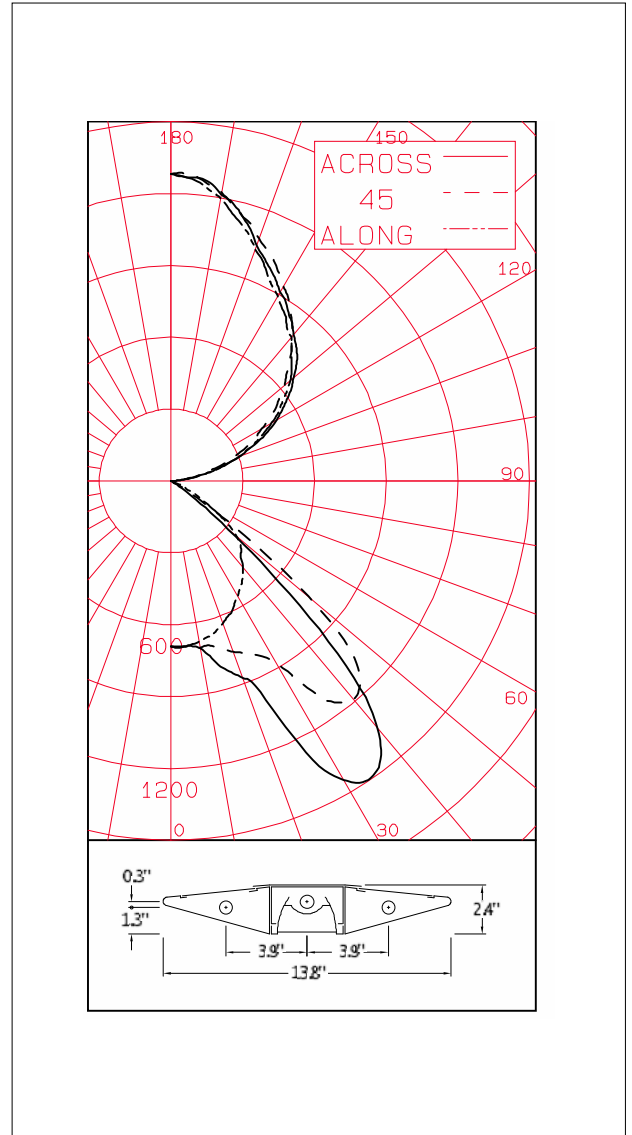
CANDLE POWER SUMMARY

| ANGLE | ALONG | 22.5 | 45 | 67.5 | ACROSS | OUTPUT LUMENS |
|-------|-------|------|------|------|--------|---------------|
| 0 | 691 | 691 | 691 | 691 | 691 | |
| 5 | 693 | 687 | 694 | 701 | 694 | 68 |
| 15 | 665 | 669 | 718 | 786 | 802 | 206 |
| 35 | 516 | 656 | 1108 | 1443 | 1490 | 647 |
| 45 | 414 | 707 | 1107 | 1029 | 877 | 642 |
| 55 | 250 | 494 | 253 | 95 | 40 | 242 |
| 65 | 40 | 51 | 11 | 7 | 6 | 31 |
| 75 | 40 | 51 | 11 | 7 | 6 | 31 |
| 75 | 3 | 0 | 0 | 1 | 0 | 1 |
| 85 | 0 | 0 | 0 | 0 | 0 | 0 |
| 90 | 0 | 0 | 0 | 0 | 0 | |
| 95 | 37 | 30 | 33 | 41 | 38 | 46 |
| 105 | 213 | 203 | 173 | 185 | 206 | 206 |
| 115 | 398 | 414 | 361 | 375 | 414 | 382 |
| 125 | 567 | 589 | 536 | 552 | 592 | 503 |
| 135 | 714 | 737 | 703 | 714 | 745 | 554 |
| 145 | 836 | 860 | 869 | 859 | 856 | 535 |
| 155 | 954 | 981 | 1017 | 989 | 980 | 455 |
| 165 | 1117 | 1134 | 1148 | 1132 | 1146 | 320 |
| 175 | 1256 | 1260 | 1272 | 1268 | 1271 | 121 |
| 180 | 1282 | 1282 | 1282 | 1282 | 1282 | |

| ZONE | LUMENS | % LAMP | % LUMINAIRE |
|--------|--------|--------|-------------|
| 0-30 | 664 | 4.98 | 12.43 |
| 0-40 | 1311 | 9.83 | 24.52 |
| 0-60 | 2195 | 16.44 | 41.04 |
| 0-90 | 2228 | 16.69 | 41.65 |
| 40-90 | 916 | 6.86 | 17.13 |
| 60-90 | 32 | .25 | .61 |
| 90-180 | 3121 | 23.38 | 58.35 |
| 0-180 | 5349 | 40.07 | 100.00 |

LUMINANCE SUMMARY

| Angle° | ALONG | 45 | ACROSS |
|--------|-------|-------|--------|
| 45° | 7508 | 20142 | 15956 |
| 55° | 5577 | 5684 | 888 |
| 65° | 1221 | 321 | 176 |
| 75° | 130 | 0 | 0 |
| 85° | 0 | 0 | 0 |



Please visit www.beghelliLUCE.com to download additional photometry pdfs and IES files.