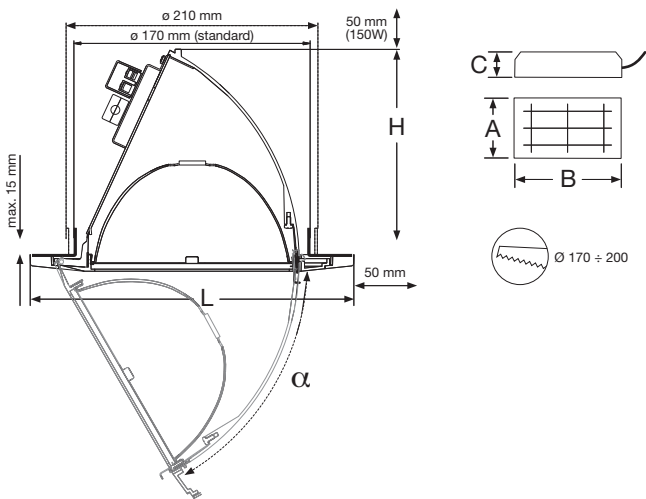


DWL LED

Recessed LED luminaires



Material:

- body: die-cast aluminum finished by powder technology varnishing
- color: white RAL 9003
- reflector: white polycarbonate angle 70° is supplied with luminaire (polished aluminum angle 16°, 24° and 40° must be ordered separately)
- diffuser: clear tempered glass 3 mm

Ambient temperature: -20 ÷ 40°C

Degree of protection: optical part IP44, body IP20

Rated voltage: 230 V/50 Hz

Control gear: LED driver, the luminaires are offered also in emergency version

Mounting: recessed into ceiling modules

Accessories: (to be ordered separately)

1233 – reflector 16° DWL OR

1234 – reflector 24° DWL OR

1235 – reflector 40° DWL OR

19364 – inverter LED IP65 AT/LG 123H

19365 – inverter LED IP65 LGFM 123H

Application: lighting for boutiques, shops, fashion saloons, hotels and restaurants

MTBF of power supply** 65 000 h
(MTBF: Mean Time Between Failures)

Luminous flux decrease:** 50 000 h (1×150 W) (L80B20)
60 000 h (1×70 W) (L80B20)

Color temp. stability: 3 SDCM

** Applies to ambient temperature 25°C

Power* W	Code	Article	Absorption W	Lum. flux (lm)	lm/W	Color temp. K	Ra	EEC	L×A×B×C×H (mm)	α max.	Kg
1×70	D170LOR	DWL LED 1x70W OR INC	32	3 000	100	3 000	>80	A+	233 × 45 × 302 × 30 × 150	60°	2.3
1×150	D1150LOR	DWL LED 1x150W OR INC	55	5 500	100	3 000	>80	A+	233 × 45 × 302 × 30 × 150	60°	2.3

* Indicative power just for comparison purpose with high pressure lamps.

ROTATION ANGLE 345° AND TILTING ANGLE 60°



REFLECTORS 16°, 24°, 40°



- 1233** reflector 16° DWL OR
- 1234** reflector 24° DWL OR
- 1235** reflector 40° DWL OR

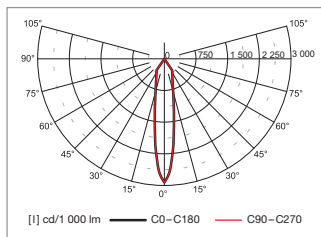
to be ordered separately
to be ordered separately
to be ordered separately

INVERTER LED IP65



- 19364** inverter LED IP65 AT/LG 123H
- 19365** inverter LED IP65 LGFM 123H

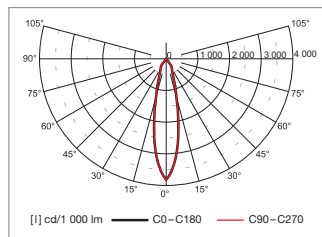
to be ordered separately
to be ordered separately



I max 70w* = 10 100 Cd / I max 150w* = 18 700 Cd

Beam angle 16°

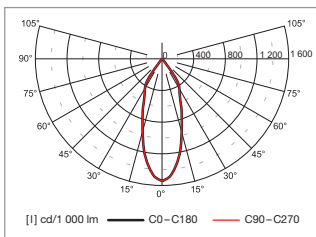
Distance	Diameter	Illuminance
0.5 m	∅ 0.16 m	40 338 lx
1.0 m	∅ 0.32 m	10 084 lx
1.5 m	∅ 0.49 m	4 482 lx
2.0 m	∅ 0.65 m	2 521 lx
2.5 m	∅ 0.81 m	1 614 lx
3.0 m	∅ 0.97 m	1 120 lx



I max 70w* = 10 100 Cd / I max 150w* = 18 700 Cd

Beam angle 24°

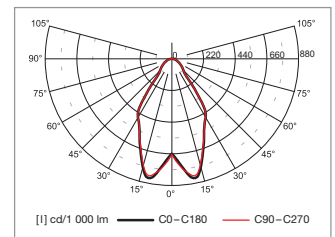
Distance	Diameter	Illuminance
0.5 m	∅ 0.20 m	40 846 lx
1.0 m	∅ 0.40 m	10 212 lx
1.5 m	∅ 0.59 m	4 538 lx
2.0 m	∅ 0.79 m	2 553 lx
2.5 m	∅ 0.99 m	1 634 lx
3.0 m	∅ 1.19 m	1 135 lx



I max 70w* = 4 950 Cd / I max 150w* = 9 150 Cd

Beam angle 40°

Distance	Diameter	Illuminance
0.5 m	∅ 0.34 m	19 774 lx
1.0 m	∅ 0.68 m	4 944 lx
1.5 m	∅ 1.02 m	2 197 lx
2.0 m	∅ 1.35 m	1 236 lx
2.5 m	∅ 1.70 m	791 lx
3.0 m	∅ 2.04 m	549 lx



I max 70w* = 2 200 Cd / I max 150w* = 4 100 Cd

Beam angle 70°

Distance	Diameter	Illuminance
0.5 m	∅ 0.65 m	8 826 lx
1.0 m	∅ 1.30 m	2 207 lx
1.5 m	∅ 1.95 m	981 lx
2.0 m	∅ 2.60 m	552 lx
2.5 m	∅ 3.25 m	353 lx
3.0 m	∅ 3.90 m	245 lx