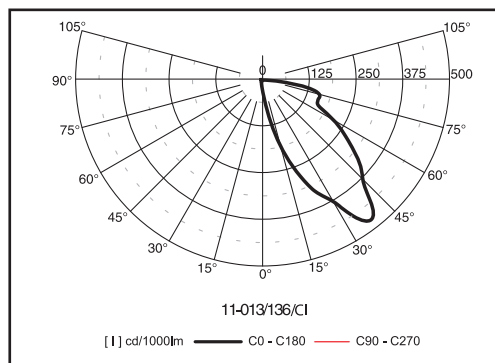
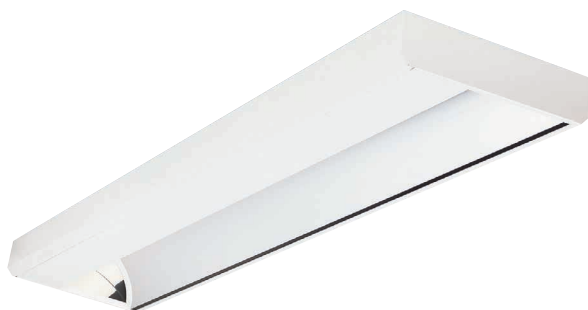
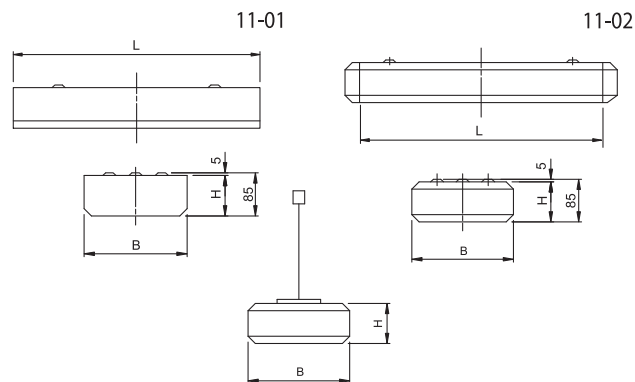


gemma | 11-01, 11-02



Ceiling or suspended luminaires - asymmetric reflector 11-01 separate, 11-02 coupling in lines



Material:

- body: a steel sheet finished by powder technology varnishing
- color: white RAL 9003
- reflector: a polished aluminium sheet (asymmetric profile)

Degree of protection: IP 20

Rated voltage: 230V/50Hz

Control gear: low loss ballast or electronic ballast, dimmable ballast on request;
the luminaires are offered also in emergency version

Mounting: separate mounting on a ceiling (series 11-01);

on wire or tube pendants; coupling in lines (series 11-02);

Accessories: wire and tube pendants; plastic endings for coupling luminaires
(must be ordered separately)

Application: reception desks, corridors, shops, counters, computer labs

pendants for luminaires

length(mm)	without a cable	with a cable 3x1,5 mm ²	with a cable 5x1,5 mm ²
1200 (wires)	99-083/120	99-084/120	99-085/120
400 (tubes)	99-093/040	99-094/040	99-095/040
600 (tubes)	99-093/060	99-094/060	99-095/060
900 (tubes)	99-093/090	99-094/090	99-095/090
1200 (tubes)	99-093/120	99-094/120	99-095/120

endings for coupling luminaires

99-104

Code	Power	Lamp	Cap	LxBxH (mm)	Kg
11-013/136/□ I	1x36W	T8 lamp	G13	1248x336x80	4,5
11-013/158/□ I	1x58W	T8 lamp	G13	1548x336x80	5,4
11-023/136/□ I	1x36W	T8 lamp	G13	1240x336x80	4,5
11-023/158/□ I	1x58W	T8 lamp	G13	1540x336x80	5,4

□ - E (low loss ballast) - C (electronic ballast)