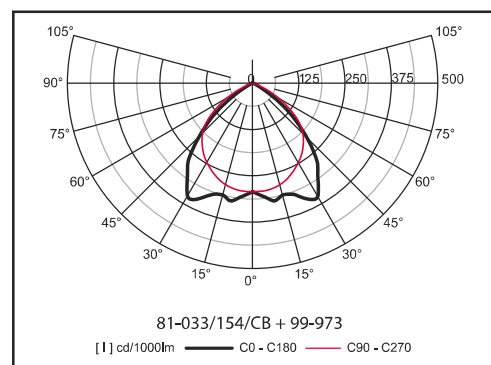
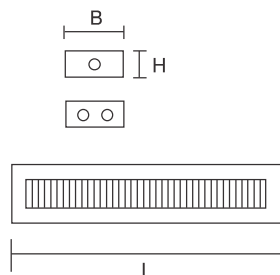


81-03 | stratus

Ceiling and suspended luminaires - direct/indirect



Material:

- body: anodized aluminium profile
- louvre: highly polished or matted parabolic louvre made of aluminium sheet

Degree of protection: IP 20

Rated voltage: 230V/50Hz

Control gear: electronic ballast, the luminaires are offered also in emergency version

Mounting: built up on a ceiling or suspended on wire pendants

Accessories: (must be ordered separately)

99-972 - wire pendant with power supply cable 1200mm (set for one luminaire)

99-973 - ceiling bracket-indirect 1200mm (for 1x28/54W lamps)
(must be ordered for ceiling mounting)

99-974 - ceiling bracket-indirect 1500mm (for 1x35/49/80W lamps)
(must be ordered for ceiling mounting)

99-975 - ceiling bracket-indirect 1200mm (for 2x28/54W lamps)
(must be ordered for ceiling mounting)

99-976 - ceiling bracket-indirect 1500mm (for 2x35/49/80W lamps)
(must be ordered for ceiling mounting)

Application: offices, corridors and stairways, shops, lecture halls

In case of suspended mounting and direct luminous flux you have to use ceiling bracket-indirect (99-973, 99-974, 99-975 or 99-976).

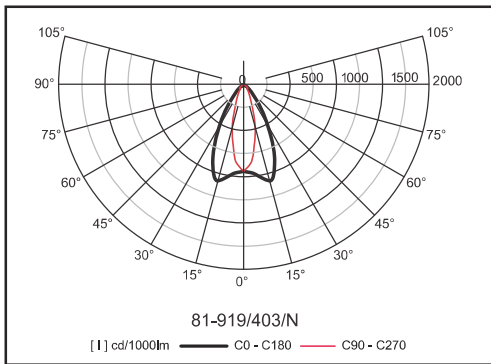
Code	Power	Louvre	Lamp	Cap	LxBxH (mm)	Kg
81-033/154/C	1x28/54W	B, C	T5 lamp	G5	1252x157x50	4,0
81-033/180/C	1x35/49/80W	B, C	T5 lamp	G5	1552x157x50	4,9
81-033/254/C	2x28/54W	B, C	T5 lamp	G5	1252x212x50	4,3
81-033/249/C	2x35/49W	B, C	T5 lamp	G5	1552x212x50	5,2
81-033/280/C	2x80W	B, C	T5 lamp	G5	1552x212x50	5,2

- B (highly polished parab. louvre, 60°)
 - C (matted parabolic louvre, 60°)

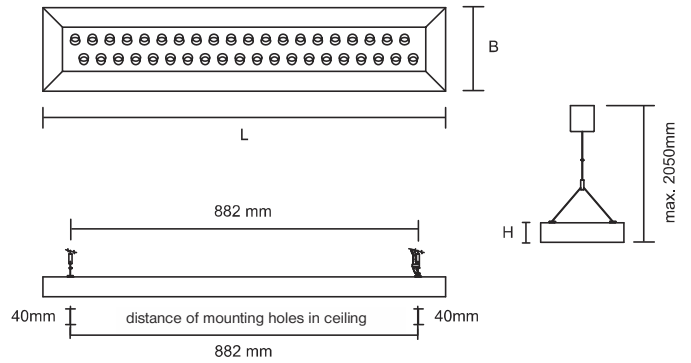
Electronic ballast are in multiwatt version.

Multiwatt versions - QT1 1x28/54, QT1 1x35/49/80, QT1 2x28/54, QT1 2x35/49

stratus | 81-91



Suspended luminaires with LEDs – direct



Material:

- body: anodized aluminium profile

Degree of protection: IP 20

Rated voltage: 230V/50Hz

Control gear: transformer

Mounting: suspended on wire pendants

Accessories: (must be ordered separately)

99-972 - wire pendant with power supply cable 1200mm (set for one luminaire)

Application: offices, shops, finance houses, lecture halls



Code	Power	Lamp	Color temperature	Lumen per watt	LxBxH (mm)	Kg
81-919/403/N	40x1,5W	LED	6000K	100lm/W	1022x212x50	6,1