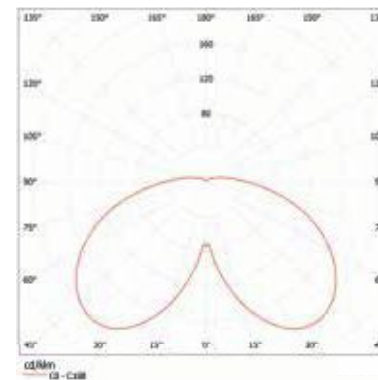
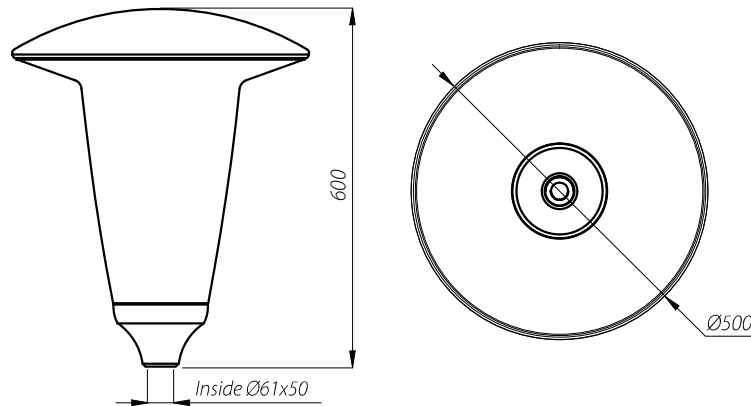


PARK LIGHTING/PARK LUMINAIRES

ATLANTIS LED

- protection degree: IP 66
- insulation class: II
- supply voltage: 120-277 V AC, 50/60 Hz
- light sources: CREE LM-H2
- material:
 - cap – aluminum alloy,
 - diffuser frozen – PMMA,
 - base – die-cast aluminum
- colour: inox
- mounting: on columns with spigot ending \varnothing 60 mm length 50 mm
- recommended assembly height: 4-6 m
- luminaire is adapter to work in temperatures between -40°C and $+55^{\circ}\text{C}$



Light distribution curve for ATLANTIS LED luminaire



Luminaire ATLANTIS LED on column SAL-5 (4 m high)

Name	The colour temperature of light [K]	Code	Power / Number of LEDs [W / pcs.]	Total power [W]	Luminous flux [lm]*	Lighting efficiency [lm/W]	Weight [kg]	Current product card
ATLANTIS LED	3 500	214650/3	38/1	43	3 400	79	4,6	

* due to LED precision class, the value tolerance is +/-7%