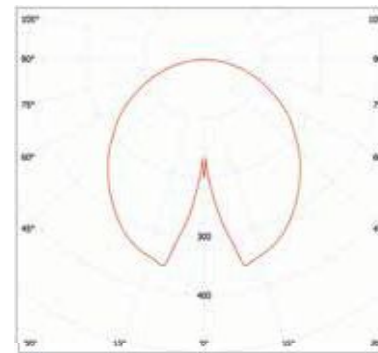
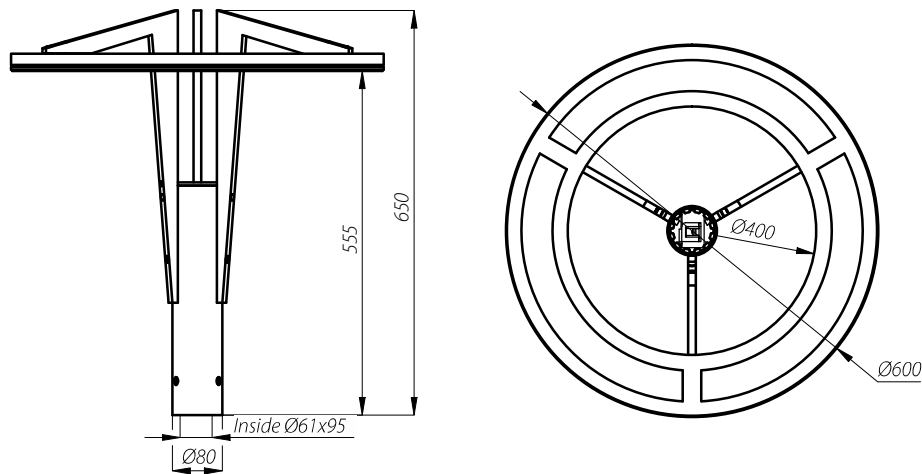


CORONA LED

- **protection degree:** IP 66, for optical part and driver
- **insulation class:** II
- **supply voltage:** 220-240 V AC, 50/60 Hz
- **light sources:** SAMSUNG LM561C
- **material:** anodized aluminum alloy
- **colour:** inox/graphite
- **mounting:** on columns with spigot ending $\varnothing 60$ mm length 95 mm
- **recommended assembly height:** 5-7 m
- luminaire is adapter to work in temperatures between -40°C and $+55^{\circ}\text{C}$



Light distribution curve for CORONA LED luminaire

Name	The colour temperature of light [K]	Code	Power / Number of LEDs [W / pcs.]	Total power [W]	Luminous flux [lm]*	Lighting efficiency [lm/W]	Weight [kg]	Current product card
CORONA LED	5 000	214735/6	72/216	80	7 050	88	13	

* due to LEDs precision class, the value tolerance is +/-3%



Luminaire CORONA LED on column SAL DL-3 (6 m high)