

COSMO LED

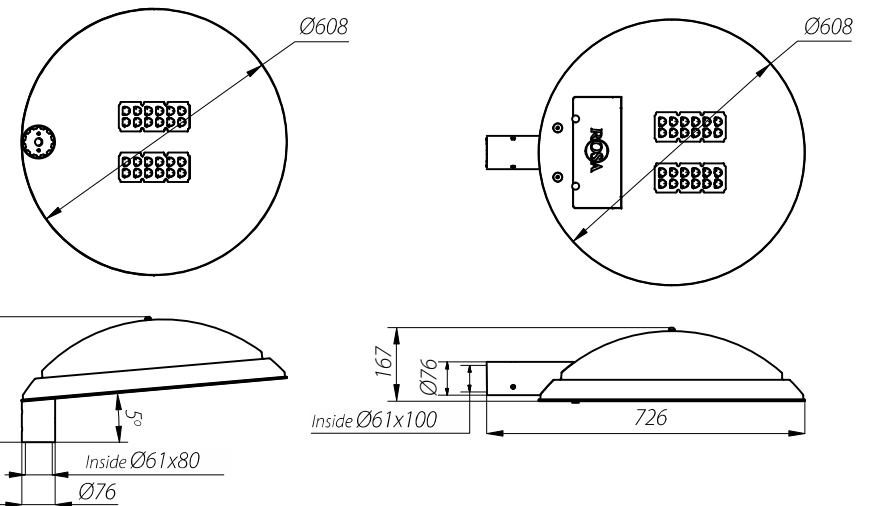
- **protection degree:** IP66 for the optical part and driver
- **insulation class:** II
- **voltage:** 220-240 V AC, 50/60 Hz
- **light source:** CREE XT-E or CREE XP-L
- **material:**
 - body and handle – anodised aluminium alloy
 - cover – formed anodised aluminium sheet
- **colour:** inox/black (possibility of anodising in other colours)
- **assembly:**
 - COSMO LED ALFA – pole top mounted with spigot ending Ø60, on the column 8-10 m high
 - COSMO LED – for mounting on extension arm with spigot ending Ø60
- **recommended mounting height:** from 6 to 12 m depending on the optics
- luminaire is adapted to work in temperatures between -40°C and +40°C
- **optics:** optics available for the removable module can be found on page 18 of the catalogue



COSMO LED



COSMO ALFA LED



Name	Colour temperature [K]	Code	Power/LEDs amount [W/pcs]	Total power [W]	Luminous flux [lm]*	Luminous efficiency [lm/W]	Weight [kg]	Current product card
COSMO LED 72	5 000	2210035/6	72/24	80	9 750	122	11,5	
	3 500	2210035/3			8 950	112		
COSMO LED ALFA 72	5 000	2212035/6	72/24	80	9 750	122		
	3 500	2212035/3			8 950	112		

* due to the precision class of diodes tolerance is +/-3%



STREET LIGHTING/STREET LUMINAIRES

COSMO LED



Luminaire COSMO LED on the column
SAL DS-85 in the height of 8,16m