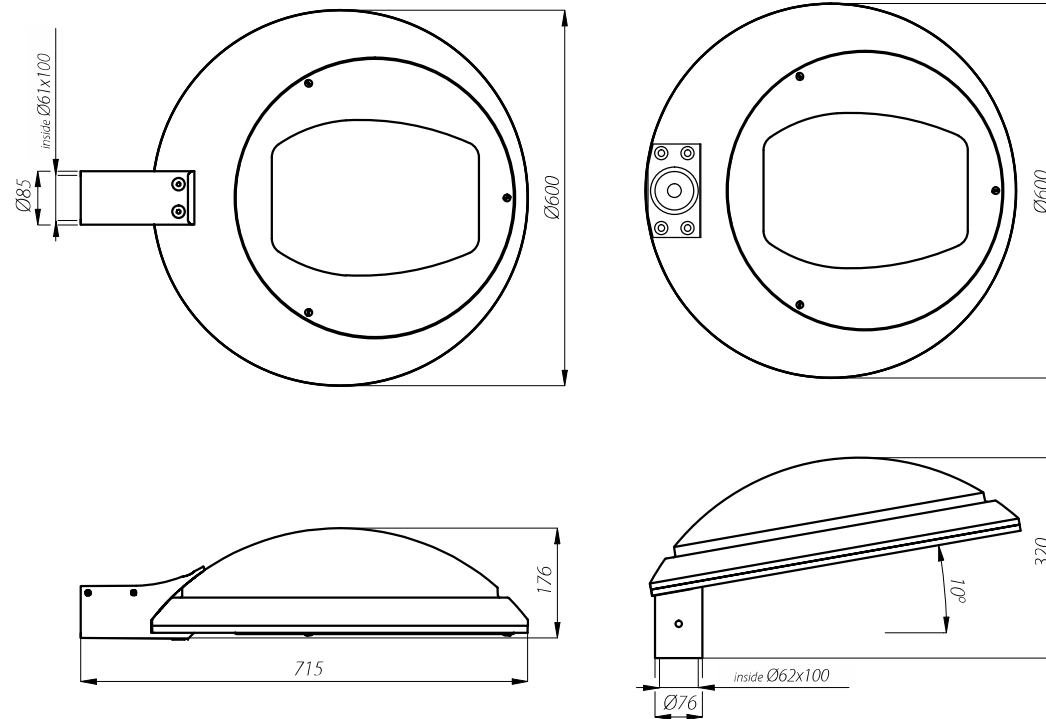


COSMO

- **protection degree:** IP66 for optics, IP44 for wiring chamber
- **insulation class** I
- **material:**
 - body – die cast aluminium alloy
 - cover – formed aluminium sheet
 - handle – COSMO: aluminium cast, COSMO ALFA: aluminium alloy
 - diffuser – flat tempered glass
 - reflector – pressed from polished aluminium sheet
- **colours:** polyester powder paint in any RAL colours
- **assembly:**
 - COSMO – designed for mounting on extension arm with spigot ending $\varnothing 60$ and length 110 mm
 - COSMO ALFA – pole top mounted with spigot ending $\varnothing 60$ and length 100 mm
- reposition the light source – for luminaire with light source up to 150 W



Name	Code	Power [W]	Light source	Weight [kg]
COSMO S-70	221002	70	Sodium E-27	9,1
COSMO ALFA S-70	221202			8,9
COSMO S-100	221003	100	Sodium E-40	9,3
COSMO ALFA S-100	221203			9,1
COSMO S-150	221004	150	Sodium E-40	9,8
COSMO ALFA S-150	221204			9,6
COSMO S-250	221005	250	Sodium E-40	11
COSMO ALFA S-250	221205			10,8
COSMO MH-70	221007	70	Metal halide E-27	9,1
COSMO ALFA MH-70	221207			8,9
COSMO MH-100	221008	100	Metal halide E-27	9,2
COSMO ALFA MH-100	221208			9,2
COSMO MH-150	221009	150	Metal halide E-27	9,7
COSMO ALFA MH-150	221209			9,5
COSMO MH-250	221010	250	Metal halide E-40	11
COSMO ALFA MH-250	221210			10,6

COSMO

COSMO ALFA



Moskva / Russia



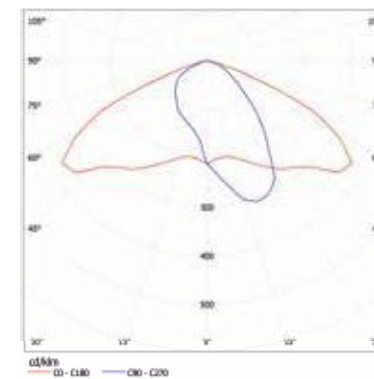
Valašské Meziříčí / Czech Republic



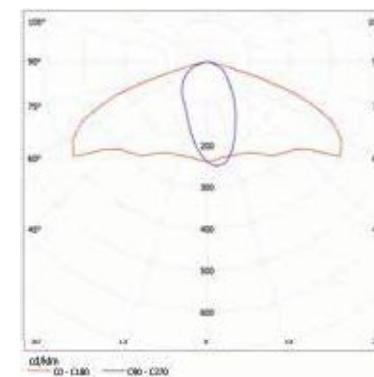
Leszno / Poland

STREET LIGHTING / STREET LUMINAIRES

COSMO



Distribution curve for luminaire COSMO S-150 W



Distribution curve for luminaire COSMO S-250 W