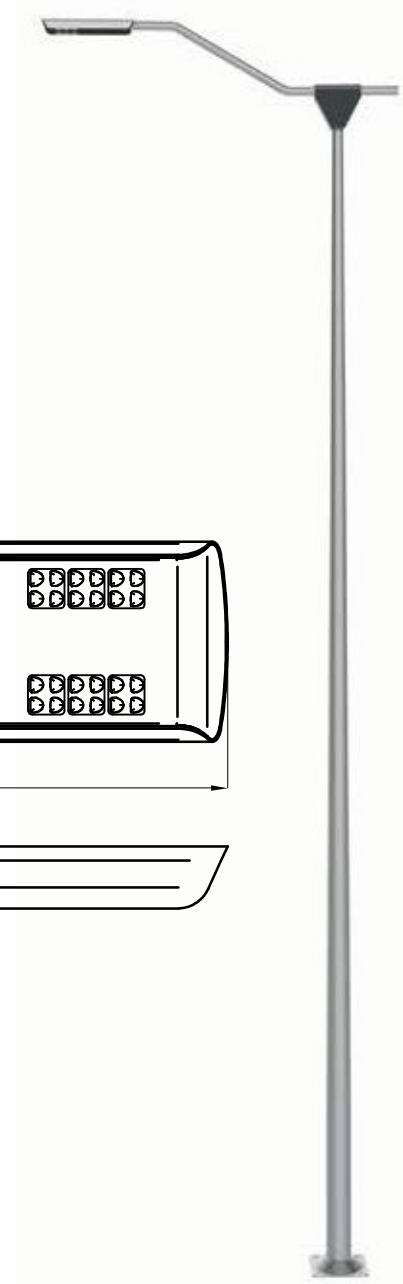
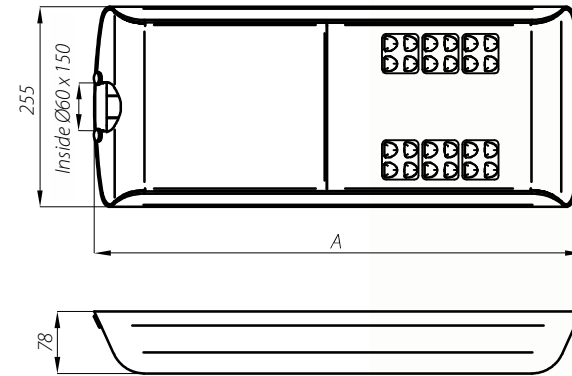


CUDDLE LED LITE

- **protection degree:** IP66 for the optical part and driver
- **insulation class:** II
- **voltage:** 100-240 V AC, 50/60 Hz
- **light source:** CREE XT-E or CREE XP-L
- **material:** anodised aluminum alloy
- **colour:** inox/black (possibility of anodising in other colours)
- **assembly:** on extension arm
- **recommended mounting height:** from 6 to 10 m depending on the optics
- luminaire is adapted to work in temperatures between -40°C and +40°C
- **optics:** optics available for the removable module can be found on page 18 of the catalogue



Name	Colour temperature [K]	Code	Power/LEDs amount [W/pcs]	Total power [W]	Luminous flux [lm]*	Luminous efficiency [lm/W]	Length A [m]	Weight [kg]	Current product card
CUDDLE LED 52 LITE	5 000	222351/6	52/24	59	4 850	82	600	8	
	3 500	222351/3							
CUDDLE LED 80 LITE	5 000	222352/6	82/24	86	10 500	122			
	3 500	222352/3			9 650	112			

* due to the precision class of diodes tolerance is +/-7%

Luminaire CUDDLE LED LITE on column SAL-80M in the height of 8 m and extension arms WR-21/1