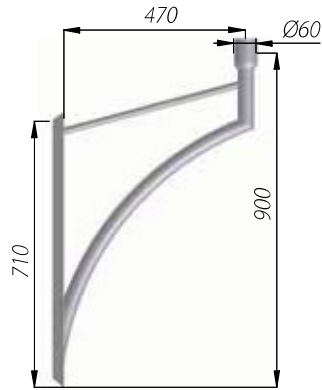
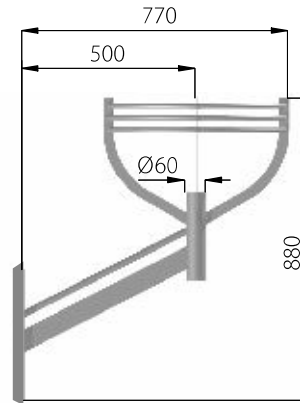


WALL BRACKETS KA

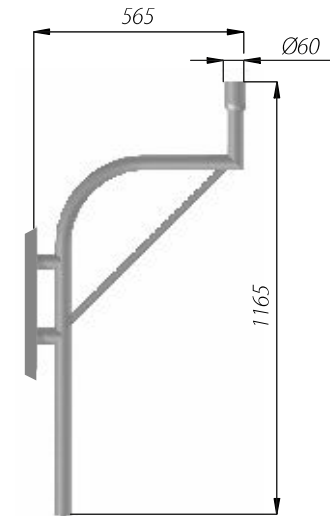
- **application:** aluminium wall brackets for wall mounting



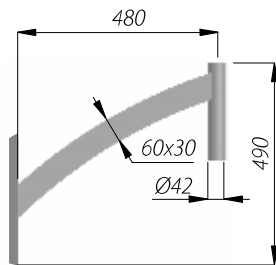
KA-A1
code: 478100/C..
Luminaires: OP, OPA-1, OS-1, OS-1 LED, OS-11 LED



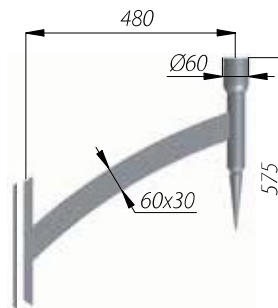
KA-1
code: 478010/C..
Luminaire: OP



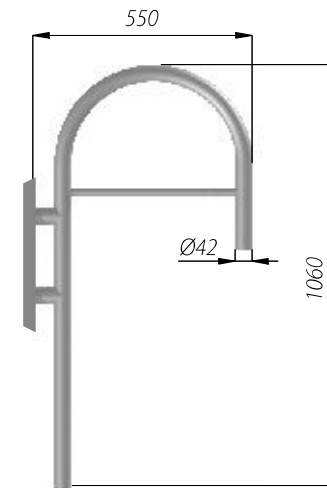
KA-5
code: 478050/C..
Luminaires: OP, OPA-1



KA-C1
code: 478102/C..
Luminaires: OW, DROP



KA-D1
code: 478103/C..
Luminaires: OP, OPA-1, OS-1, OS-1 LED, OS-11 LED



KA-14
code: 478140/C..
Luminaires: OW, DROP