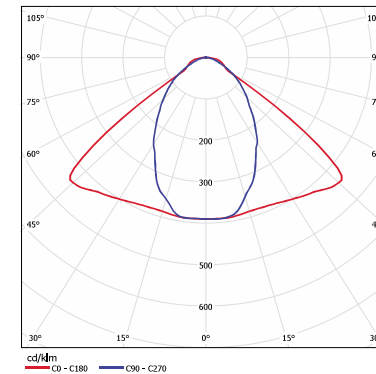
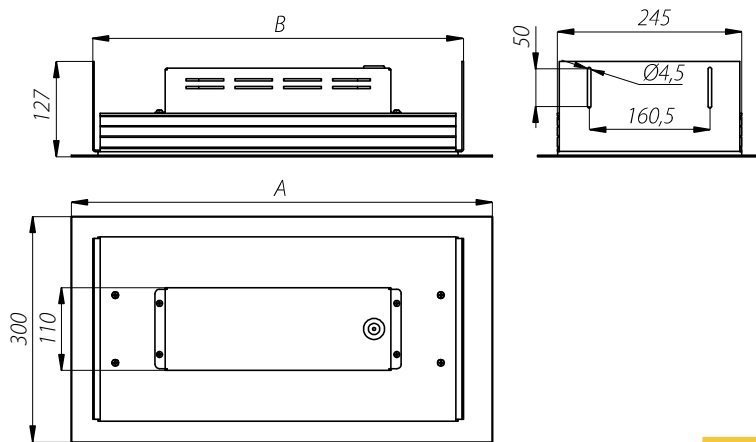


LIBRA LED



Industrial luminaire LIBRA LED is designed to illuminate the production halls, warehouses, petrol stations, etc.. The luminaire is mounted in the ceiling after the preparation of the appropriate hole.

- **protection degree:** IP66 for the optical part
- **insulation class:** II
- **voltage:** 220-240 V AC, 50/60 Hz
- **light source:** CREE XP-L
- **material:** anodised aluminum alloy
- **colour:** natural (possibility of anodising in other colours)



Light distribution curve for luminaire LIBRA LED

Name	Colour temperature [K]	Code	Power/LEDs amount [W/pcs]	Total power [W]	Luminous flux [lm]*	Luminous efficiency [lm/W]	Weight [kg]	Length A [mm]	Length B [mm]	Current product card
LIBRA LED 72	5 000	230535/6	72/24	80	7 500	94	7,7	427	360	
	3 500	230535/3			6 900	86				
LIBRA LED 96	5 000	230537/6	96/32	105	10 000	95	9,3	519	452	
	3 500	230537/3			9 200	88				
LIBRA LED 120	5 000	230539/6	120/40	129	12 500	97	10	560	493	
	3 500	230539/3			11 500	89				
LIBRA LED 144	5 000	230541/6	144/48	154	15 000	97	11,2	642	572	
	3 500	230541/3			13 800	90				

* due to the precision class of diodes tolerance is +/-3%