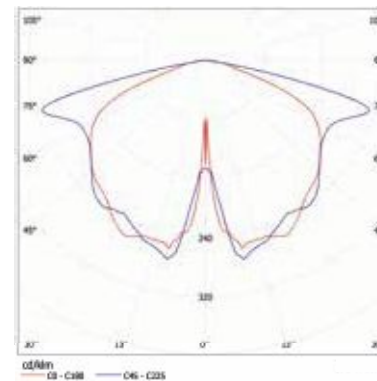
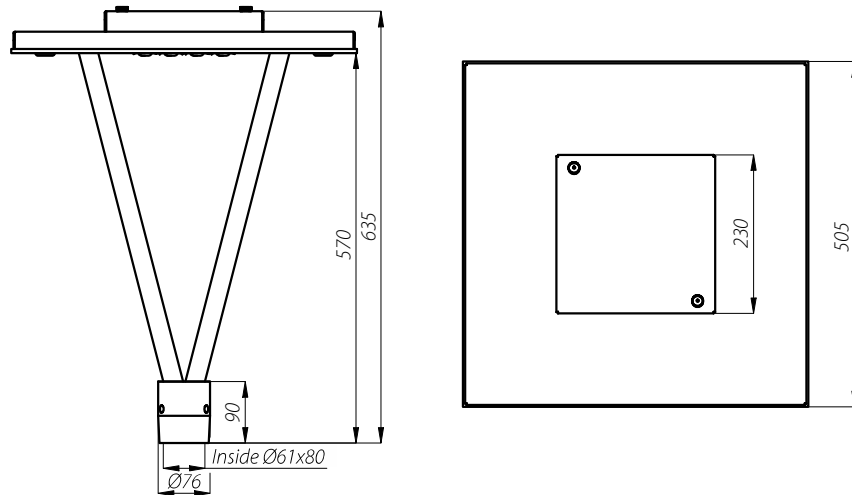


MIZAR LED

- **protection degree:** IP 66, for the optical part and driver
- **insulation class:** II,
- **supply voltage:** 220-240 V AC, 50/60 Hz
- **light sources:** CREE XP-L
- **material:** anodized aluminum alloy
- **colour:** inox/graphite
- **mounting:** on columns with spigot ending Ø60 mm length 80 mm
- **recommended assembly height:** 5-6 m
- luminaire is adapter to work in temperatures between -40°C and +55°C



Light distribution curve for MIZAR LED luminaire



Luminaire MIZAR LED on column SAL4/B60 (4m high)

Name	The colour temperature of light [K]	Code	Power / Number of LEDs [W / pcs.]	Total power [W]	Luminous flux [lm]*	Lighting efficiency [lm/W]	Weight [kg]	Current product card
MIZAR LED	5 000	214433/6	48/16	55	6 500	118	9,2	
	3 500	214433/3			6 000	109		

* due to LED precision class, the value tolerance is +/-3%