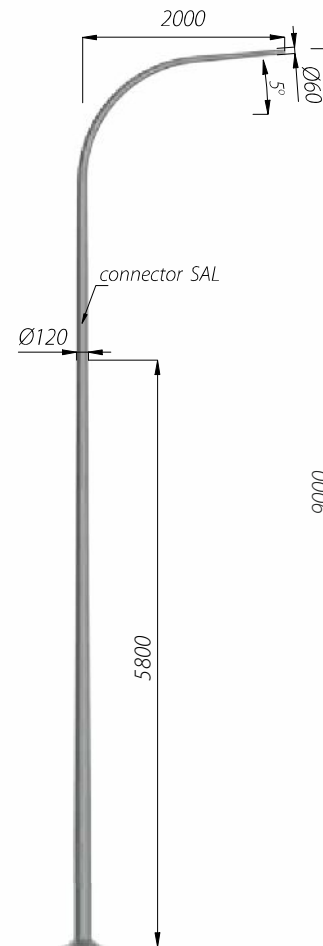


## TWO PIECE COLUMNS WITH CURVED EXTENSION ARMS Ø176

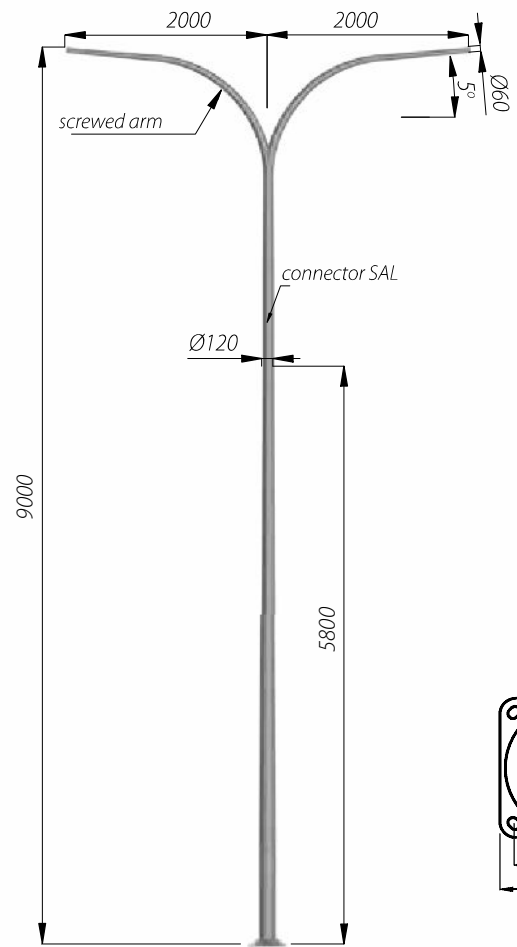


Column with single extension arm  
SAL- 9 WŁ 1/2/3,2/5

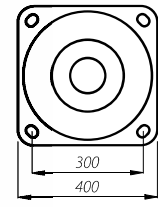


Name	Length of the arm [m]	Code			Height of the column [m]	Height of upper part of the column [m]	Height of lower part of the column [m]	Concrete footing/ reinforcement basket
		Number of arms						
		1	2	3				
SAL-9 WŁ	1,5	42419/C...	42420/C...	42421/C...	9	3,2	5,8+0,35	B-70 / Z-70
	2,0	42422/C...	42423/C...	42424/C...				B-71 / Z-71
	2,5	42425/C...	42426/C...	42427/C...				—
SAL-9,5 WŁ	1,5	42428/C...	42429/C...	42430/C...	9,5	3,7	5,8+0,35	B-70 / Z-70
	2,0	42431/C...	42432/C...	42433/C...				B-71 / Z-71
	2,5	42434/C...	42435/C...	42436/C...				—
SAL-10 WŁ	1,5	42437/C...	42438/C...	42439/C...	10	3,7	6,3+0,35	B-70 / Z-70
	2,0	42440/C...	42441/C...	42442/C...				B-71 / Z-71
	2,5	42443/C...	42444/C...	42445/C...				—
SAL-10,5 WŁ	1,5	42446/C...	42447/C...	42448/C...	10,5	4,2	6,3+0,35	B-70 / Z-70
	2,0	42449/C...	42450/C...	42480/C...				B-71 / Z-71
SAL-11 WŁ	1,5	42451/C...	42452/C...	—	11	4,7	6,3+0,35	B-70 / Z-70
	2,0	42453/C...	—	—				B-71 / Z-71
SAL-11,5 WŁ	1,5	42454/C...	—	—	11,5	4,7	6,8+0,35	B-71 / Z-71
SAL-12 WŁ	1,5	42455/C...	—	—	12	5,2	6,8+0,35	B-71 / Z-71

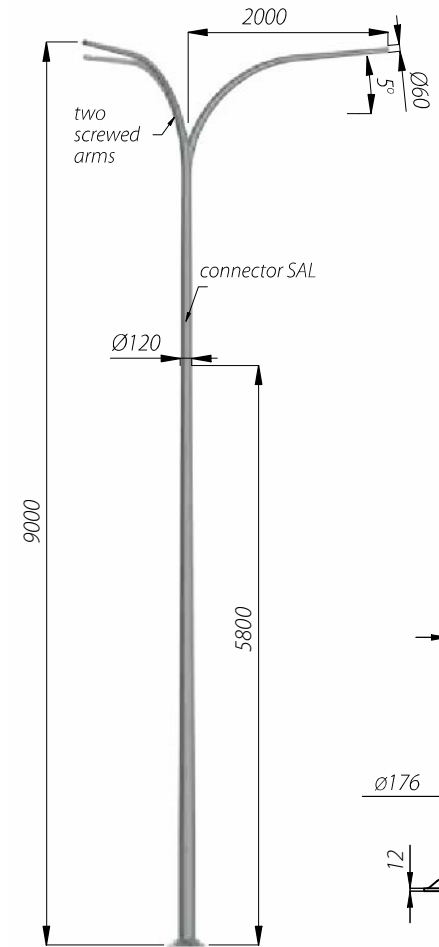
**TWO PIECE COLUMNS WITH CURVED EXTENSION ARMS**



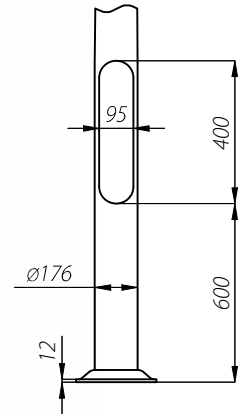
Column with double extension arm  
SAL- 9 WŁ 2/2/3,2/5



B-70/Z-70  
B-71/Z-71



Column with triple extension arm  
SAL- 9 WŁ 3/2/3,2/5



STREET LIGHTING