

## STRAIGHT COLUMNS

### Columns for traffic signal lights

Columns for traffic signal lights are designed for installing traffic lights on crossroads, pedestrian crossings etc.

Types of columns for traffic signal lights:

- straight columns
- columns with outreach
- gates

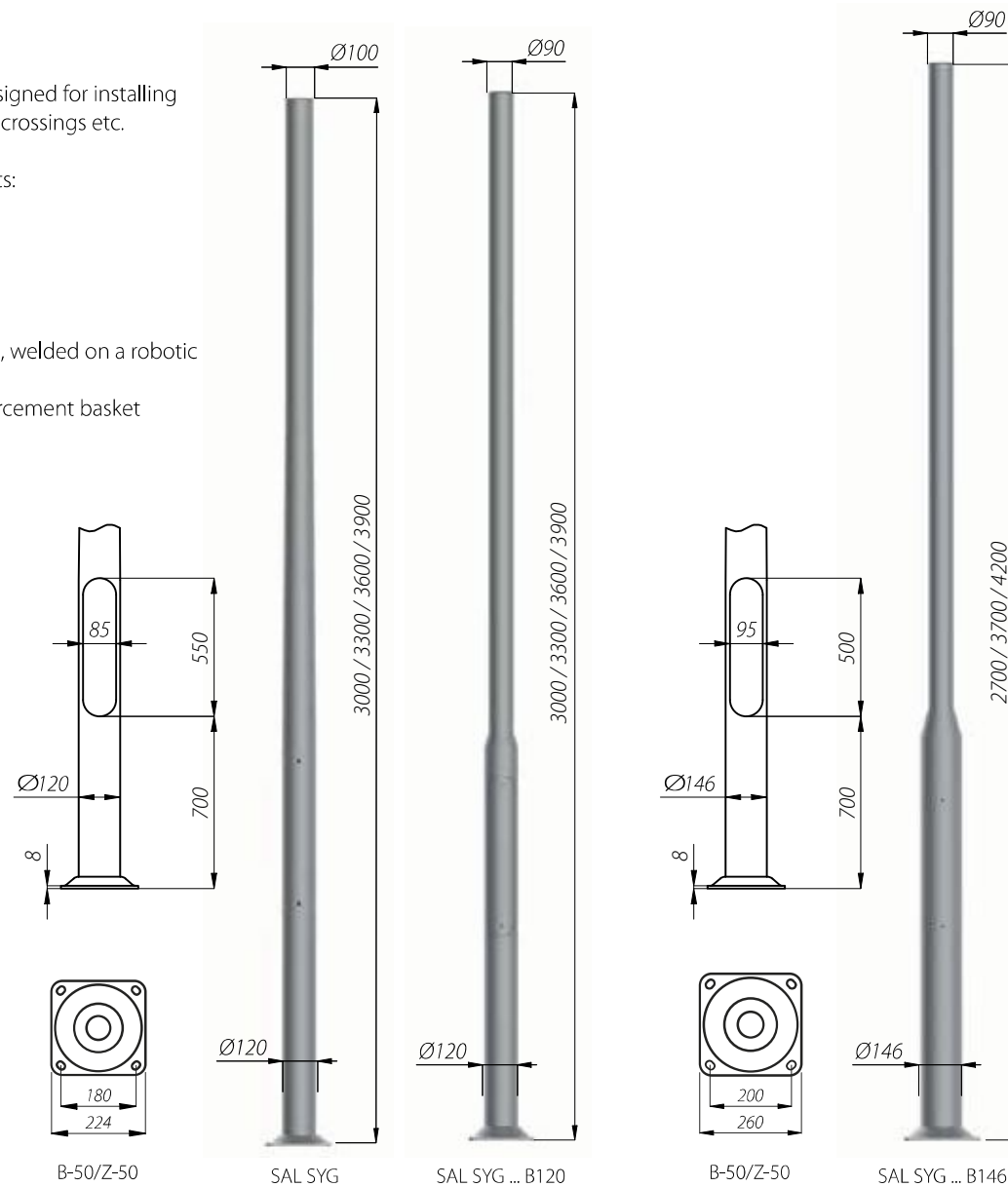
- **material:** anodised aluminium
- **base plate:** made of sheet aluminum, welded on a robotic position
- **assembly:** concrete footing or reinforcement basket

### Columns with base plate

- SAL SYG 3,0 code: 42801/C...
- SAL SYG 3,3 code: 42802/C...
- SAL SYG 3,6 code: 42803/C...
- SAL SYG 3,9 code: 42804/C...

- SAL SYG 3,0-B120 code: 42824/C...
- SAL SYG 3,3-B120 code: 42825/C...
- SAL SYG 3,6-B120 code: 42826/C...
- SAL SYG 3,9-B120 code: 42827/C...

- SAL SYG 2,7-B146 code: 42820/C...
- SAL SYG 3,7-B146 code: 42822/C...
- SAL SYG 4,2-B146 code: 42823/C...



Fontenay-sous-Bois / France