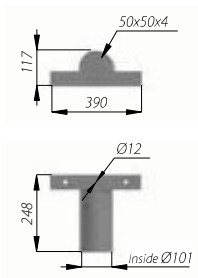
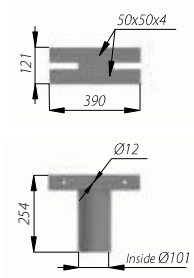


EXTENSION ARMS FOR MASTS WM

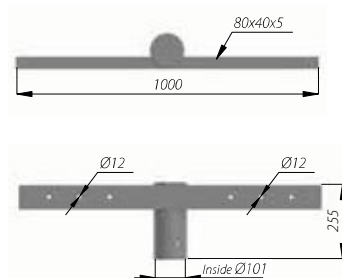
- **application:** masts MAL with spigot ending $\varnothing 100$ mm
- **material:** anodised aluminum alloy
- **luminaires:** floodlights



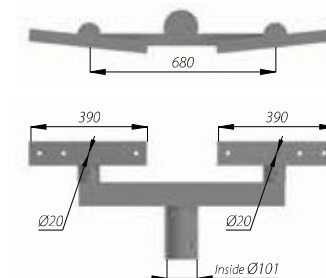
WM-1
code: 474010/C...



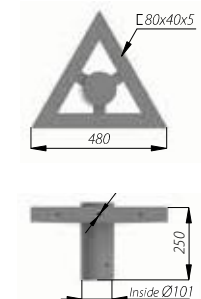
WM-2
code: 474020/C...



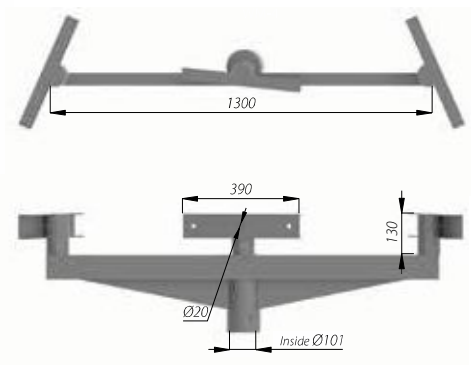
WM-21
code: 474210/C...



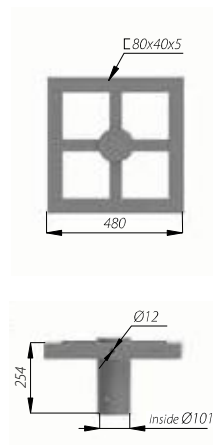
WM-21 REG
code: 474211/C...



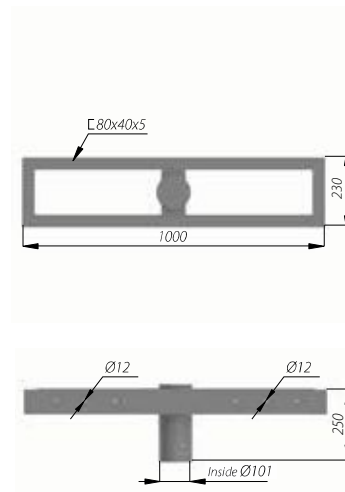
WM-3
code: 474030/C...



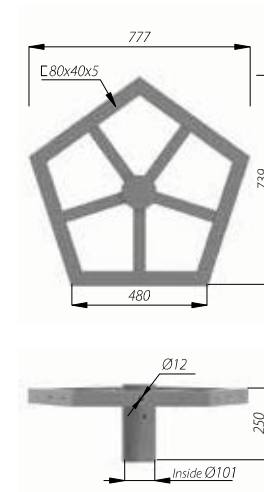
WM-31 REG
code: 474311/C...



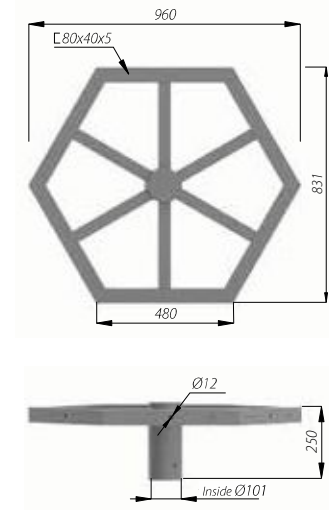
WM-4
code: 474040/C...



WM-42
code: 474420/C...



WM-5
code: 474050/C...



WM-6
code: 474060/C...