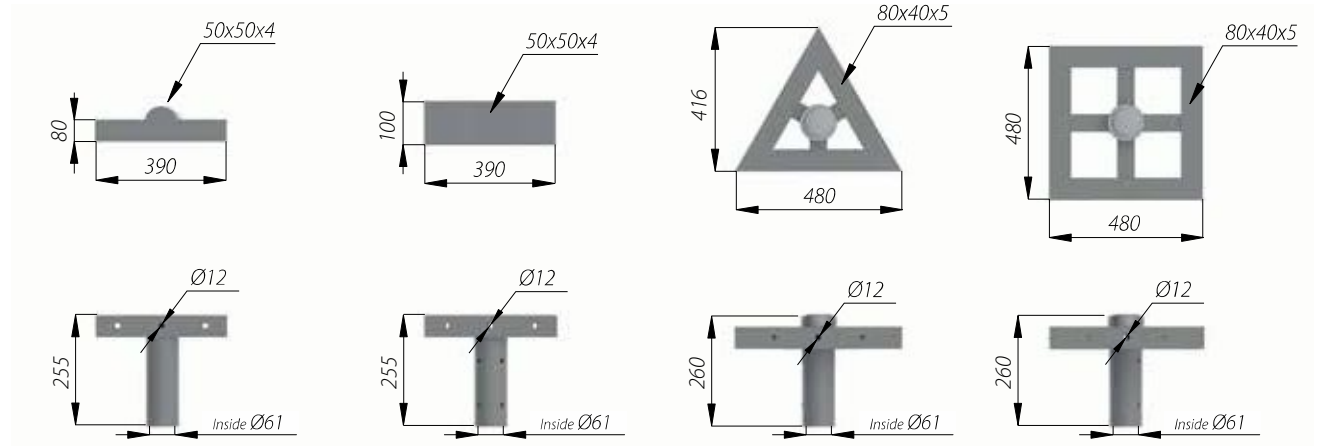


EXTENSION ARMS WN

- **application:** columns SAL with spigot ending $\varnothing 60$ mm
- **material:** anodized aluminium alloy
- **luminaires:** floodlights

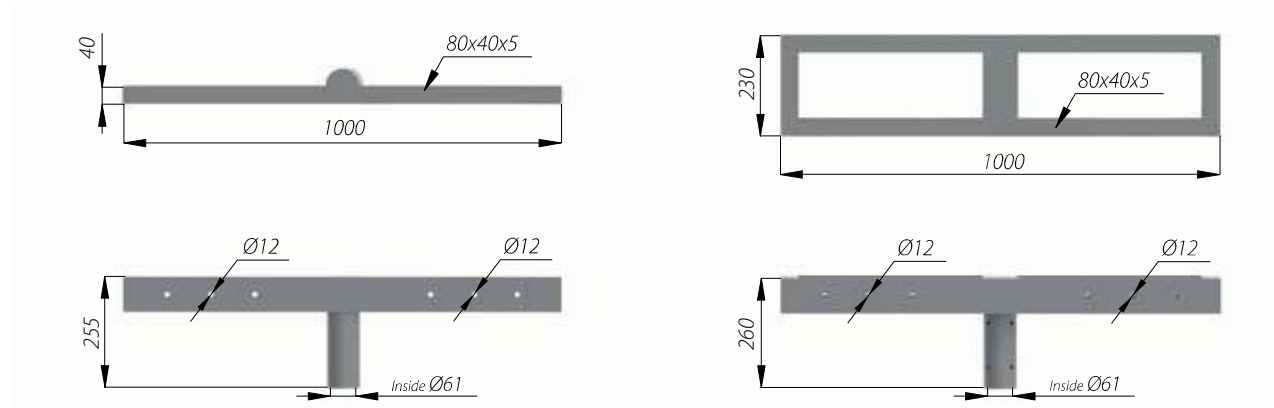


WN-1
code: 473010/C...

WN-2
code: 473020/C...

WN-3
code: 473030/C...

WN-4
code: 473040/C...



WN-21
code: 473210/C...

WN-42
code: 473420/C...

The use of extension arms must always be verified with the permissible load for the wind zone (technical data available in technical cards at www.rosa.pl)

C... - choice of anodising colour

