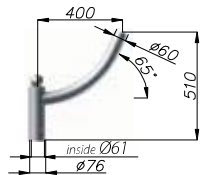
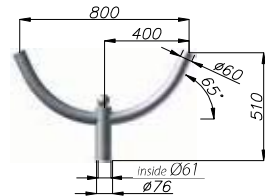


EXTENSION ARMS WR

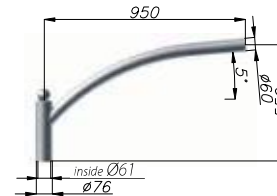
- **application:** columns SAL with spigot ending $\varnothing 60$ mm
- **material:** anodised aluminium alloy
- **luminaires:** street luminaires with spigot ending $\varnothing 60$ mm, except WR17 for luminaires with spigot ending $\varnothing 42$ mm (OW, DROP)



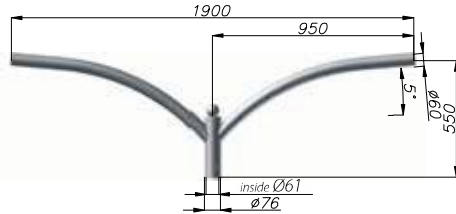
WR-1/1
code: 472011/C..



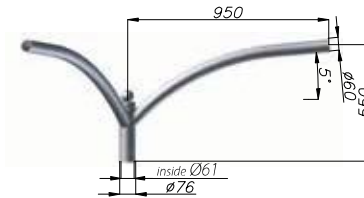
WR-1/2
code: 472012/C..



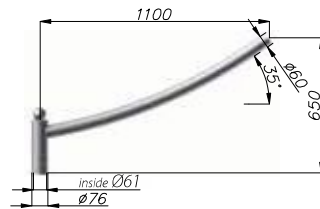
WR-2/1
code: 472021/C..



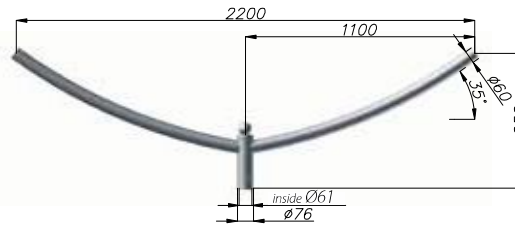
WR-2/2
code: 472022/C..



WR-2/3
code: 472023/C..



WR-3/1
code: 472031/C..



WR-3/2
code: 472032/C..

The use of extension arms must always be verified with the permissible load for the wind zone (technical data sheets)



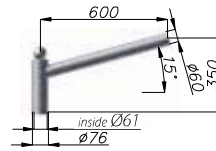
EXTENSION ARMS WR



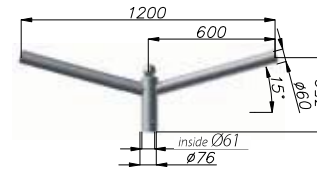
Tychy / Poland



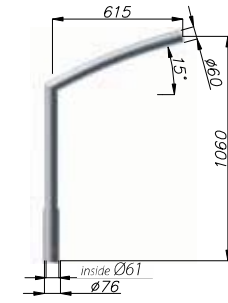
Płock / Poland



WR-4/1
code: 472041/C..



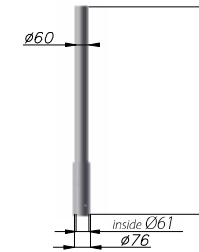
WR-4/2
code: 472042/C..



WR-5A/1
code: 472501/C..



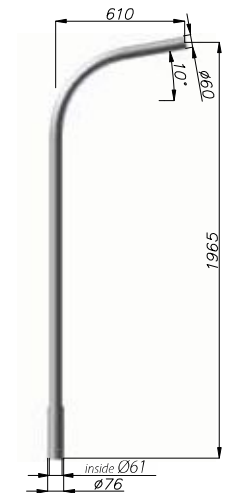
WR-5A/2
code: 472502/C..



WR-6A/1
code: 472600/C..



WR-8A/1
code: 472801/C..



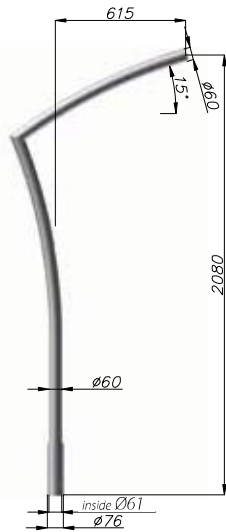
WR-8/1
code: 472081/C..

The use of extension arms must always be verified with the permissible load for the wind zone (technical data sheets)

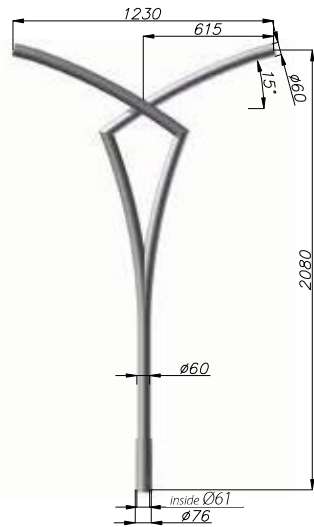
C... - choice of anodising colour

STREET LIGHTING

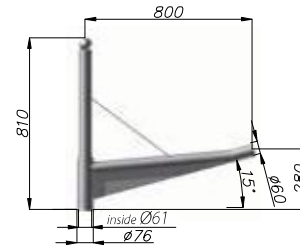
EXTENSION ARMS WR



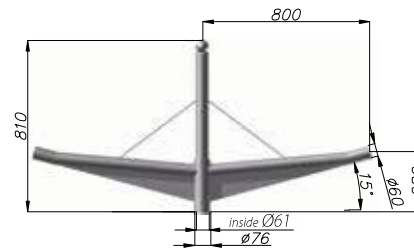
WR-9/1
code: 472091/C..



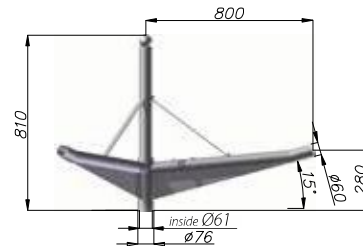
WR-9/2
code: 472092/C..



WR-13/1
code: 472131/C..



WR-13/2
code: 472132/C..



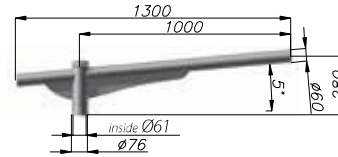
WR-13/3
code: 472133/C..



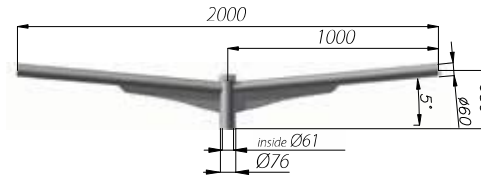
The use of extension arms must always be verified with the permissible load for the wind zone (technical data sheets)

C... – choice of anodising colour

EXTENSION ARMS WR



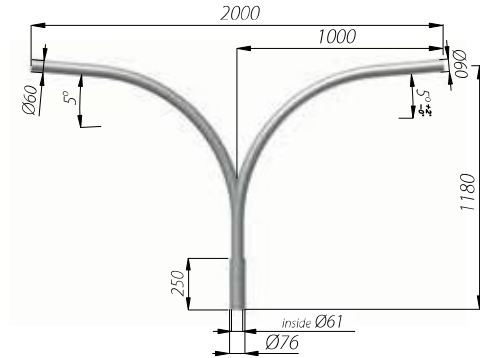
WR-15/1
code: 472151/C..



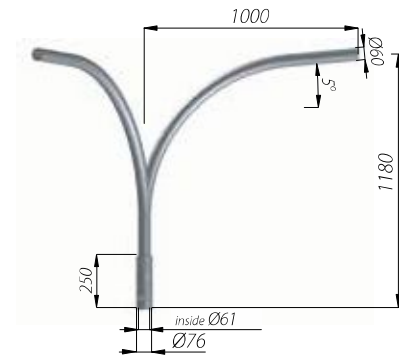
WR-15/2
code: 472152/C..



WR-14/1
code: 472141/C..



WR-14/2
code: 472142/C..



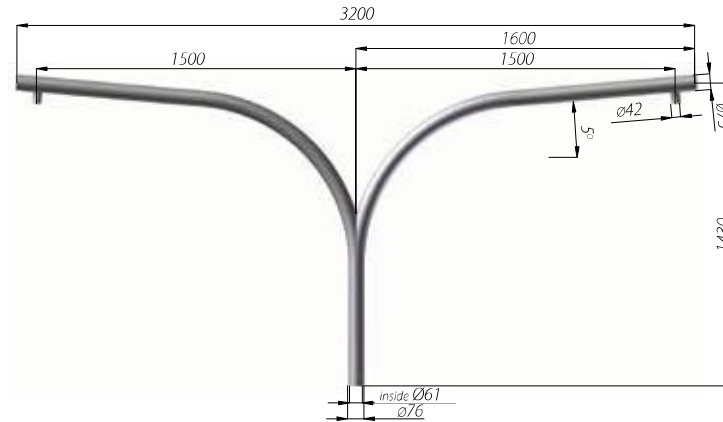
WR-14/3
code: 472143/C..

The use of extension arms must always be verified with the permissible load for the wind zone (technical data sheets)

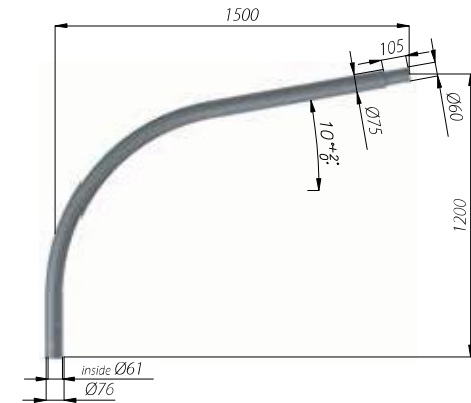
EXTENSION ARMS WR



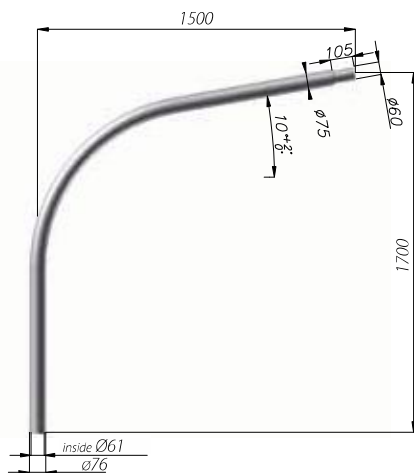
WR-17/1
code: 472171/C...



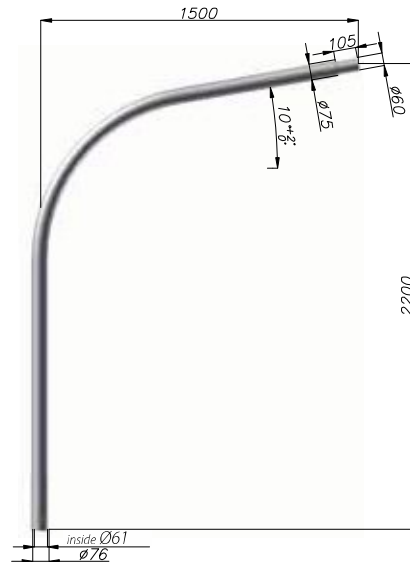
WR-17/2
code: 472172/C...



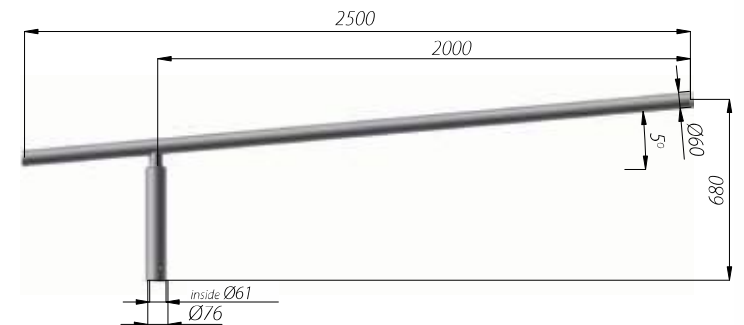
WR-18
code: 472181/C...



WR-18A
code: 472811/C...



WR-18B
code: 472821/C...

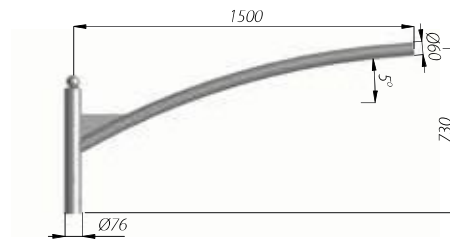


WR-61
code: 472611/C...

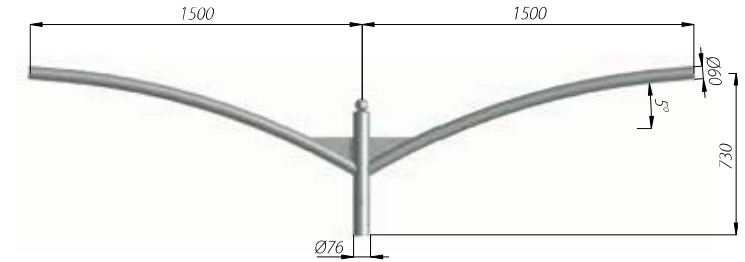
The use of extension arms must always be verified with the permissible load for the wind zone (technical data sheets)

C... — choice of anodising colour

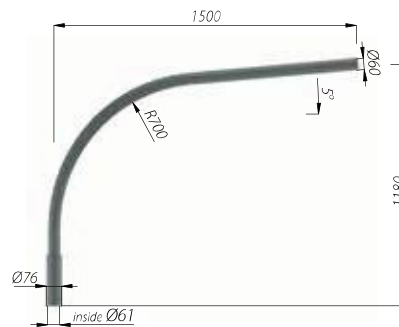
EXTENSION ARMS WR



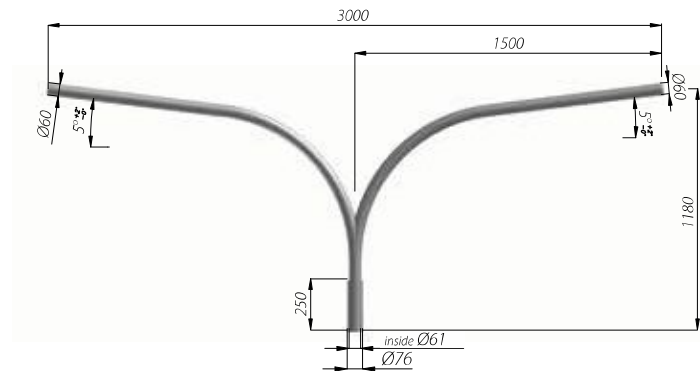
WR-T1-1,5
code: 472101/C..



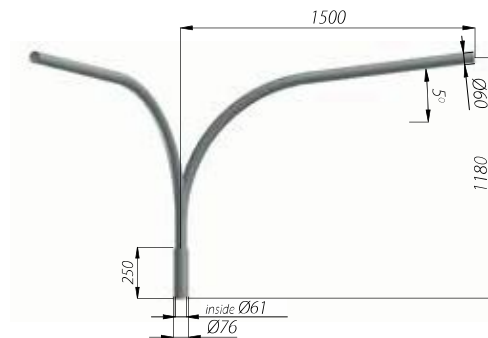
WR-T2-1,5
code: 472102/C..



WR-14/1/1,5/5
code: 47214115/C..



WR-14/2/1,5/5
code: 47214215/C..



WR-14/3/1,5/5
code: 47214315/C..



Ostrołęka / Poland

STREET LIGHTING

The use of extension arms must always be verified with the permissible load for the wind zone (technical data sheets)

C... – choice of anodising colour