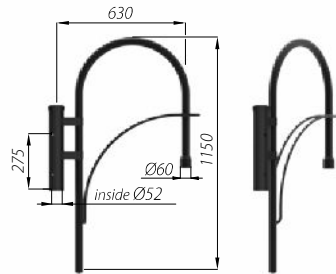
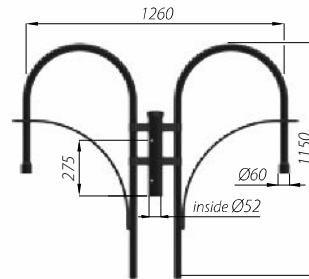


EXTENSION ARMS WTM

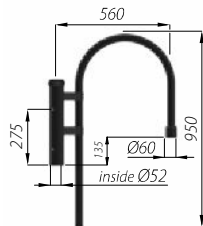
- **application:** for mounting on poles type SM and SP with spigot ending E
- **material:** aluminium alloy anodised in black, there is also the possibility of anodising in other colours



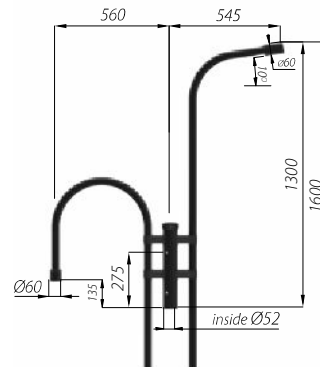
WTM-11/1
code: 476111/C35
Luminaires: OP 400, OP 450



WTM-11/2
code: 476112/C35
Luminaires: OP 400, OP 450



WTM-15/1P
code: 476151/C35
Luminaires: OP 400, OP 450



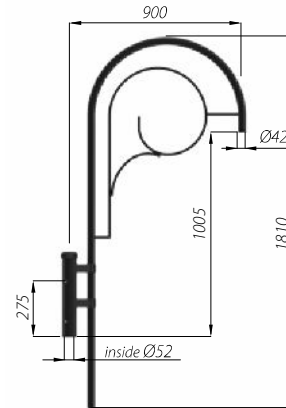
WTM-15/2
code: 476152/C35
Luminaires: OP 400, OP 450, street luminaires



EXTENSION ARMS WTM



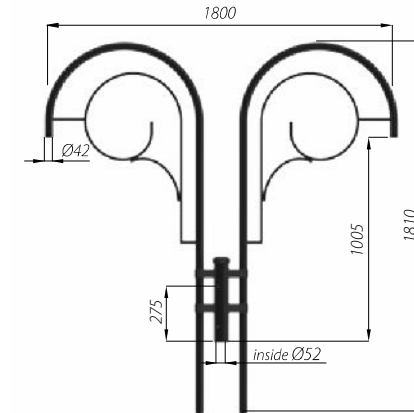
Mikołów / Poland



WTM-20/1

code: 476201/C35

luminaires: OW LED, DROP LED, OW



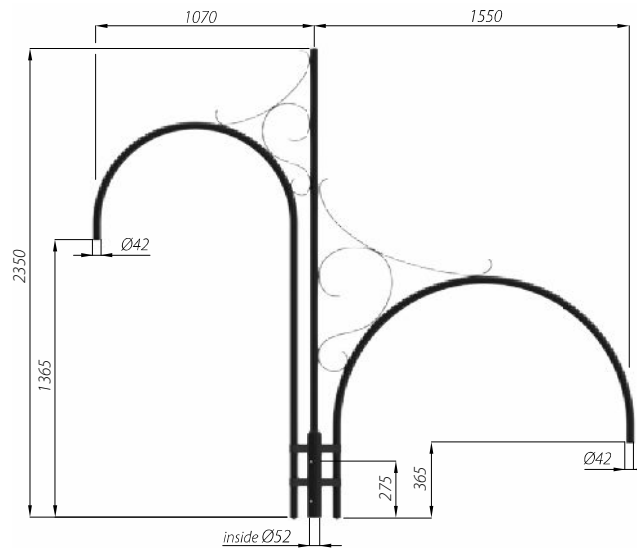
WTM-20/2

code: 476202/C35

luminaires: OW LED, DROP LED, OW



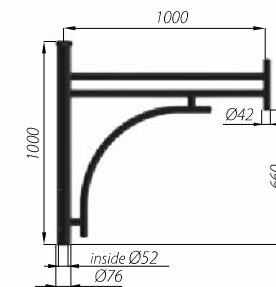
Moskwa / Russia



WTM-16/2

code: 476162/C35

luminaires: OW LED, DROP LED, OW



WTM-31

code: 476301/C35

luminaires: OW LED, DROP LED, OW